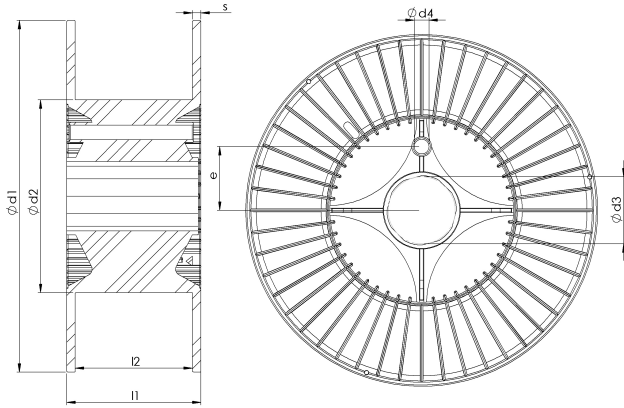
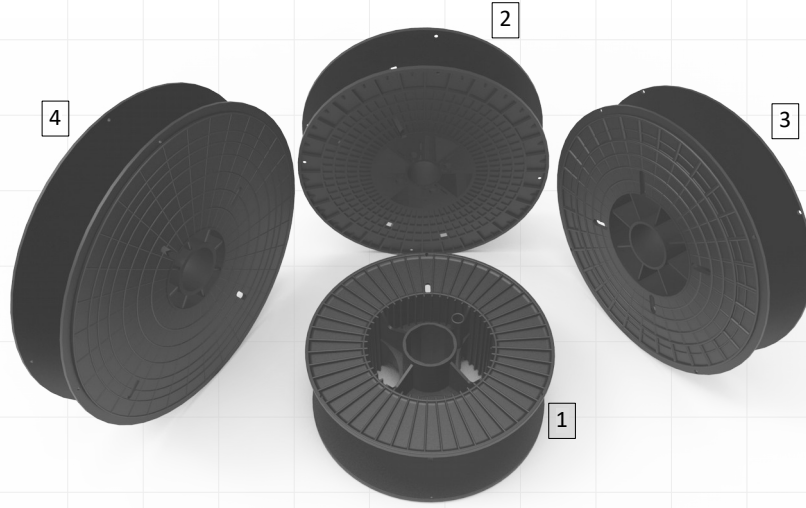




DAYI
PLASTİK

ALUMINIUM WELDING WIRE SPOOLS



Raw Material:

PC/ABS

Different material is possible on request.

Colors:

Recycle raw material, black color and different colors are possible with original raw material.

Dimensions (mm):

No	Type	d1	d2	d3	d4	l1	l2	e	Winding Volume (cm ³)
1	SD 270*	270	148	51,5-52,5	11	103	89,9-90,4	49	3.313
2	SD 305	305	128	39	-	80	67	-	3.526
3	SD 320	320	128	52	-	70-80	58-68	-	3.730
4	SD 360	360	100	50	-	70	58	-	5.000

* SD 270 spool can be used for steel wire also.

Packing Details:

Type	Quantity (pcs./pallet)	Gross Weight (kg)	Pallet Dimensions (cm)
SD 270	500	315	110x110x225
SD 305	520	345	98x118x225
SD 320	520	440	100x122x220
SD 360	520	690	105x128x220

Address: Hadımköy Hastane Mah. Org. Eşref Bitlis
Cad. TR-34555 No:52 Arnavutköy İstanbul/Turkey

Tel: +90 212 771 1345

Fax: +90 212 771 4961

E-mail: sales@dayiplastik.com

Web: www.dayiplastik.com

