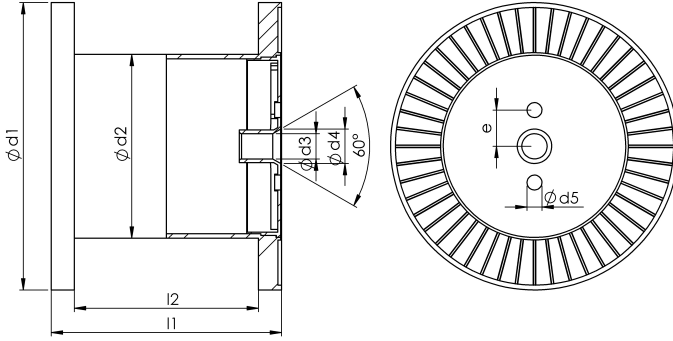
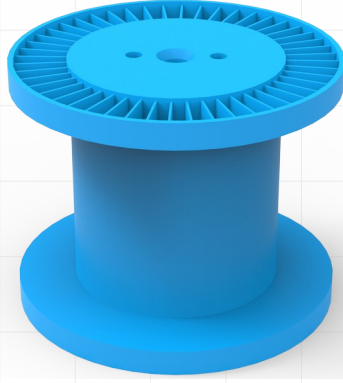




DAYI
PLASTİK

K 160 IG - 250 gr / K 250/22 – 800 gr CYLINDRICAL ECONOMIC DELIVERY SPOOLS



Raw Materials:

HIPS	High Impact Polystyrene
ABS	Acrylonitrile Butadiene Styrene
Different material is possible on request.	

Colors:

All proper colors are available to these raw materials including original raw materials color also.

Dimensions (mm):

Type	K 160 IG - 250 gr	K 250 /22– 800 gr
d1	160	250
d2	85	160
d3	22	22
d4	34	42
d5	13	13
l1	160	200
l2	128	160
Winding Volume (cm ³)	1.848	4.637

Packing Details:

Type	K 160 IG – 250 gr.	K 250/22 – 800 gr.
Quantity (pcs./pallet)	1053	300
Pallet Dimensions (cm):		
Length	115	107
Width	115	128
Height	226	218
Gross Weight (kg)	275	250
Please enquire about packing details for other possibilities.		

Address: Hadımköy Hastane Mah. Org. Eşref Bitlis
Cad. TR-34555 No:52 Arnavutköy İstanbul/Turkey

Tel: +90 212 771 1345
Fax: +90 212 771 4961
E-mail: sales@dayiplastik.com
Web: www.dayiplastik.com

