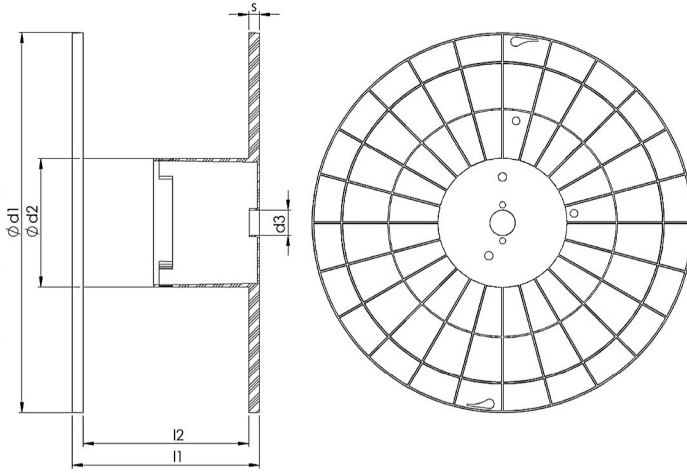
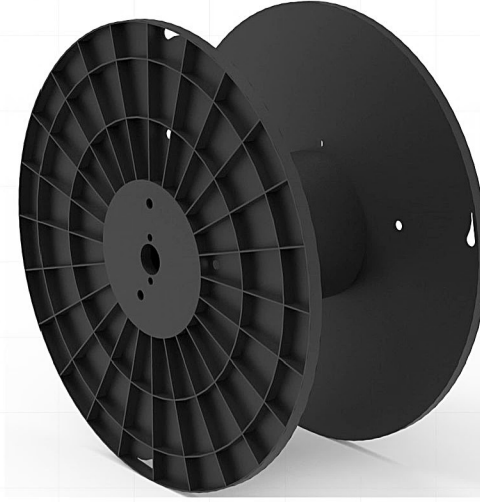




DAYI
PLASTİK

DS 445 / DS 605 GENERAL PURPOSE PLASTIC DELIVERY SPOOLS



Raw Materials:

HIPS	High Impact Polystyrene
ABS	Acrylonitrile Butadiene Styrene
Different material is possible on request.	

Colors:

All proper colors are available to these raw materials including original raw material color also.

Dimensions (mm)

Type	DS 445	DS 605
d1	445	605
d2	150	290
d3	40	40
l1	180	260
l2	160	225
Winding Volume (cm ³)	22.000	49.000

Packing Details

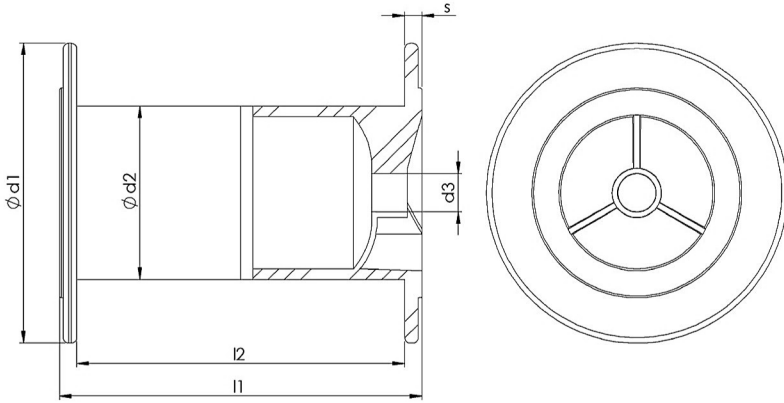
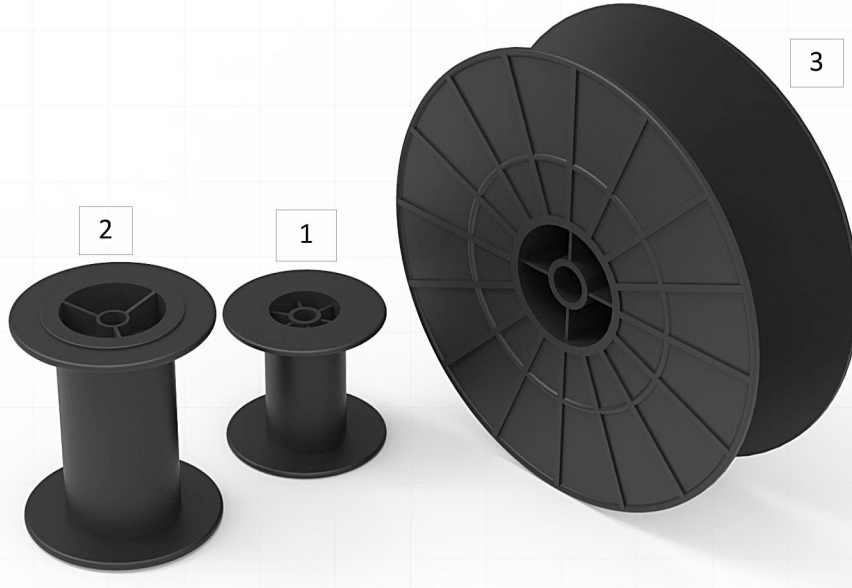
Type	DS 445	DS 605
Quantity (pcs./pallet)	99	24
Pallet Dimensions (cm)		
Length	105	103
Width	105	103
Height	225	200
Gross Weight (kg)	150	170
Please enquire about packing details for other possibilities.		

Address: Hadımköy Hastane Mah. Org. Eşref Bitlis
Cad. TR-34555 No:52 Arnavutköy İstanbul/Turkey

Tel: +90 212 771 1345
Fax: +90 212 771 4961
E-mail: sales@dayiplastik.com
Web: www.dayiplastik.com



GENERAL PURPOSES PLASTIC SPOOLS



Raw Materials:

HIPS	High Impact Polystyrene
ABS	Acrylonitrile Butadiene Styrene
PP	Polypropylene
Different material is possible on request.	

Colors:

All proper colors are available to these raw materials including original raw material color also.

Dimensions (mm):

No	Type	d1	d2	d3	l1	l2	Winding Volume (cm ³)
1	SD 70	70	35	10	64	58	149
2	SIM 83	83	48	10,5	100	91	290
3	SD 200-20	200	57	16	64	58	1.600

Address: Hadımköy Hastane Mah. Org. Eşref Bitlis
Cad. TR-34555 No:52 Arnavutköy İstanbul/Turkey

Tel: +90 212 771 1345
Fax: +90 212 771 4961
E-mail: sales@dayiplastik.com
Web: www.dayiplastik.com

